

FAST STASH™

Assembly Instructions

Please follow these instructions to guide you through assembly only. For complete instructions on the recommended care and use of your tent, please refer to Owner's Manual at www.msrgear.com/tents/ownersmanual.

PACKAGE INCLUDES:

9 stakes



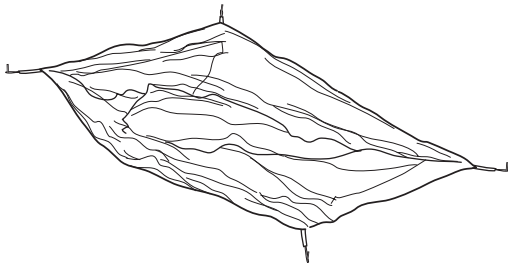
MOUNTAIN SAFETY RESEARCH®

© 2011 Cascade Designs, Inc.
4000 First Avenue South
Seattle, WA 98134 USA

1-800-531-9531 or 1-206-505-9500

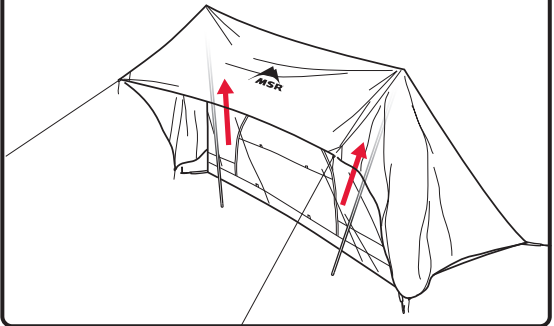
1 PREPARE FOR SETUP

1. Spread tent out; stake out four yellow corners tightly.



2 INSERT POLES

1. Place end of poles at peak. Place bottom of poles on ground near door. Angle tops of poles outward.
2. Stake front guycords with slight outward angle. Note: To reduce weight replace tent poles with trekking poles.



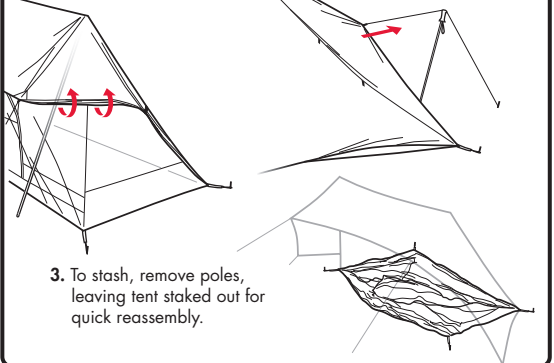
3 STAKE SIDE AWNING

1. Pull out side awning and stake so that tent body is tight and wrinkle free.



4 OPTIONS

1. Roll back awning for added ventilation.
2. Stake rear guycord for additional interior space and stability.



3. To stash, remove poles, leaving tent staked out for quick reassembly.

Note: All tents require staking. Unstaked tents are susceptible to blowing away. In some conditions, additional stakes and cord will be necessary. Re-adjustment of stakes and rainfly may be necessary to keep tent tight and weatherproof. Footprints help to keep your tent clean, dry, and protected from abrasion. Following these tips will prolong the life of your tent.