

**FAST & LIGHT SERIES**

# HUBBA™

## Assembly Instructions

These instructions alone do not guarantee durability and safe use of this product. Read the Users Manual or go to [www.msrgear.com/tents](http://www.msrgear.com/tents).

**PACKAGE INCLUDES:**

1 guy cords, 1 tensioners, 6 Needle™ stakes, 1 repair sleeve

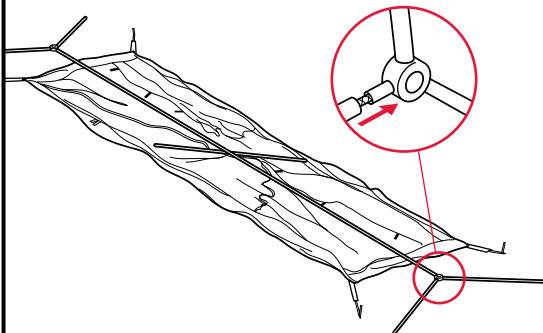


MOUNTAIN SAFETY RESEARCH®

© 2008 Cascade Designs, Inc.  
4000 First Avenue South  
Seattle, WA 98134 USA  
1-800-531-9531 or 1-206-505-9500

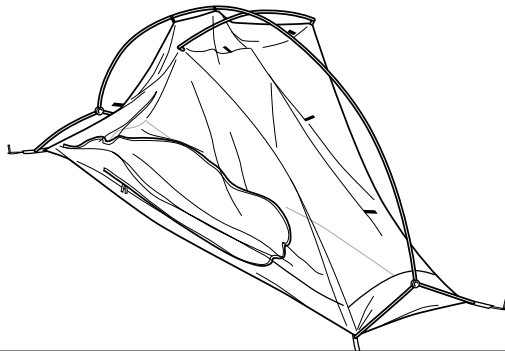
### 1 PREPARE FOR SETUP

1. Spread tent out; stake out four corners tightly.
2. Insert poles into round hub before assembling tent.



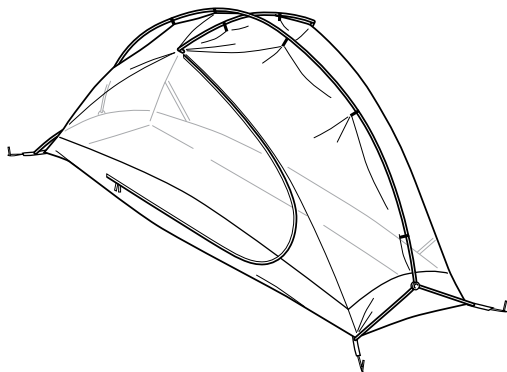
### 2 ATTACH HUBBED POLES

1. Insert tips of two short end sections of hubbed pole into grommets at one end of tent floor then the other.
2. Insert short cross pole into two grommets at midpoint of tent ceiling.



### 3 ATTACH CLIPS

1. Attach clips to pole along length of tent and cross pole.



### 4 ATTACH RAINFLY

1. Lay rainfly over tent and attach midpoint fly grommets to short cross pole.
2. Slide adjustable loop grommets under ends of poles at all four corners.
3. Pull out vestibule until taut and stake down.

